



The sound you'll notice. The speaker you won't. The FreeSpace™ 360P-II loudspeaker reproduces music with the presence and depth you would expect only indoors. And it delivers pages that can be easily understood – even in busy outdoor environments. All while disappearing into nearly any outdoor setting.

SPECIFICATIONS

Versions:

70/100V transformer

Power handling capacity:

80W

Frequency response:

70Hz to 16kHz ±3dB

Maximum output:

100dB SPL ±3dB @ 1m

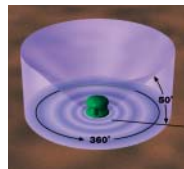
Dispersion:

360° horizontal, 50° vertical

Color:

Green

Put sound where the listeners are. The durable 360P-II loudspeaker is designed to work in locations where many conventional speakers cannot – shrubbery, gardens, pool areas. It is a proven solution for outdoor locations such as restaurants, amusement parks, open-air retail environments, and resort and hospitality venues. It can also be used indoors in large open spaces like atriums, foyers, and malls.

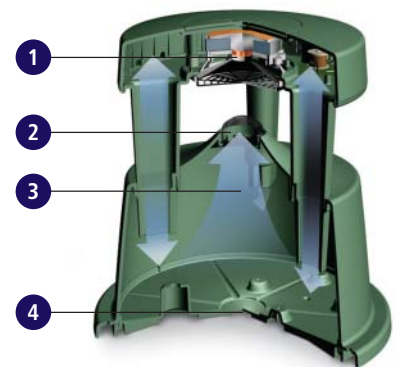


More sound coverage with fewer loudspeakers. Using an innovative design, the 360P-II loudspeaker provides 360° coverage, so fewer loudspeakers are needed than with many conventional ground-mounted loudspeakers. Sound is dispersed evenly both horizontally and vertically allowing listeners to hear consistent sound either sitting or standing.



The sound you want. The durability you need. A heavy-duty enclosure and an advanced composite driver make the FreeSpace™ 360P-II loudspeaker exceptionally rugged and reliable. It is built to withstand sand, snow, rain, salt and temperature extremes of 158°F (70°C) to -40°F (-40°C). And it survives the Salt Fog test 66% longer than the demanding Marine Industry Standard. It is also backed by a 5-year transferable warranty.

- 1 Downward-firing BOSE® environmental 11.4 cm full-range driver withstands weather extremes all year round.
- 2 Domed port grille reflects sound into the listening area for clear, consistent performance.
- 3 Centrally located port enhances low-frequency reproduction.
- 4 Base flange with 3 mounting holes provides stability and security when surface mounted or set in ground.



Product specifications subject to change without notice.

