



## Technical information

### Frequency range

90Hz to 16kHz ( $\pm 3$ dB)

### MODEL 32SE SPEAKER VERSIONS

#### Active equalisation

- > 70V (1W, 2W, 4W, 8W, 16W, 32W taps)
- > 100V (1W, 2W, 4W, 8W, 16W, 32W taps)

#### Passive equalisation

- > 4 $\Omega$ , 32W, no transformer

### Sensitivity<sup>1</sup>

#### Active equalisation

87dB-SPL @ 1W, 1m (pink noise)

#### Passive equalisation

87dB-SPL @ 1W, 1m (pink noise)

### Maximum acoustic output<sup>2</sup>

102dB-SPL @ 1m (pink noise)

102dB-SPL @ 1m (IEC3 noise)

### Dispersion<sup>3</sup>

(-6dB point, average, 1-4kHz)

132° conical

### Long-term power handling<sup>4</sup>

32W continuous

## Mechanical specifications

### Dimensions (W x H x D):

22.9 x 15.2 x 14.1 cm

### Weight: 2.3 kg

**Connectors:** 70V/100V, screw terminal; 4 $\Omega$ , hex nut post terminals

### Mounting hardware included:

Quick install U-bracket and hardware

### Additional mounting points:

Two (2) 1/4-20 inserts, 0.7 inch on bottom

## General description

The BOSE® FreeSpace® model 32SE loudspeaker is a 32-Watt loudspeaker designed for surfacemount installations in indoor and outdoor commercial spaces. It offers the following features:

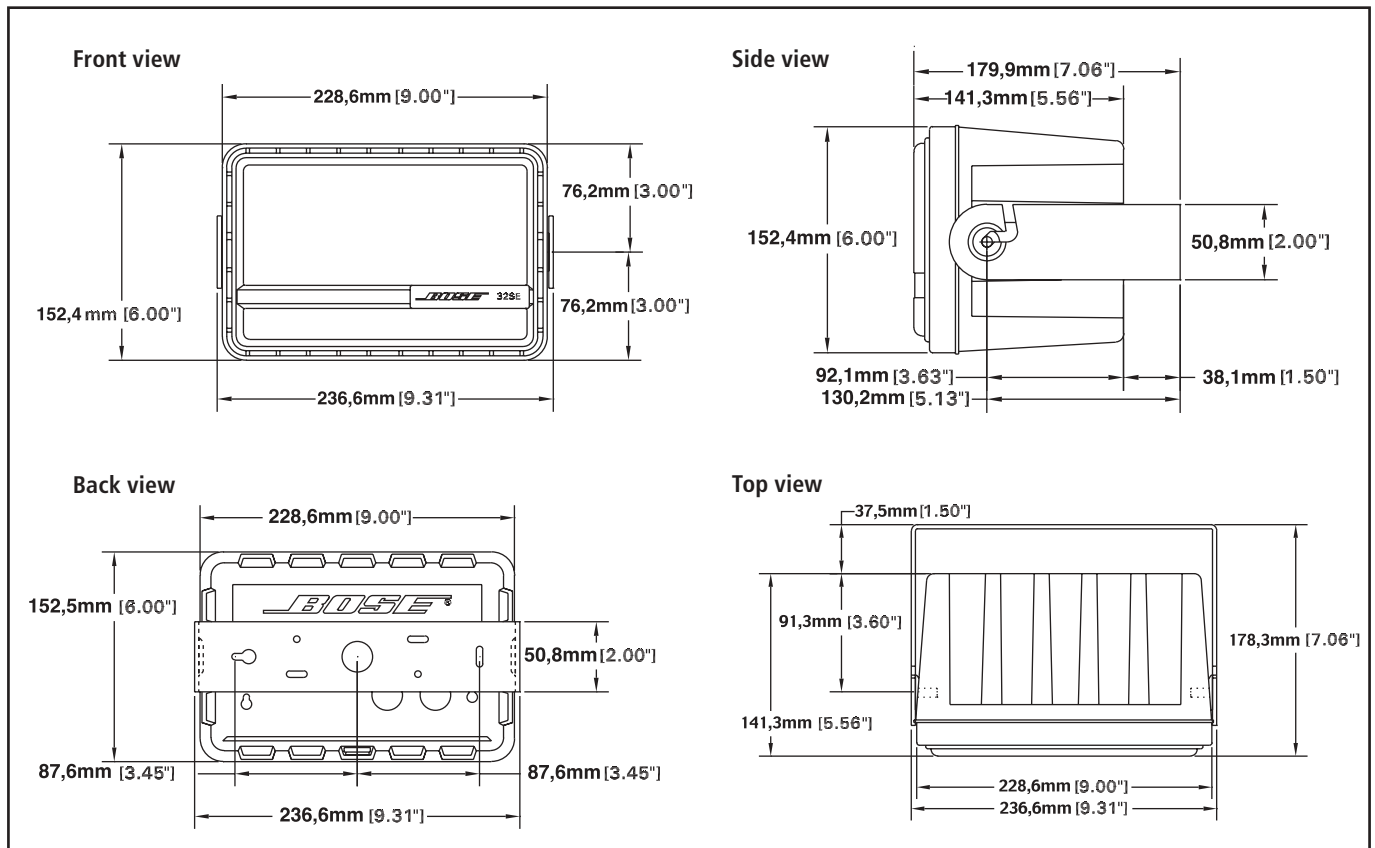
- > A 11.4 cm Bose HVC (helical voice coil) environmental driver with active equalisation, providing reliable high quality sound in a compact enclosure
- > A multi-tap line transformer that provides easy-to-change tap settings for 1W, 2W, 4W, 8W, 16W, and 32W (available on 70V and 100V versions)
- > Uses the same equalisation as the model 32 flush-mount and model 25 loudspeakers
- > Simple design available in black or white to blend with any decor or can be painted to match any interior
- > Mounting hardware that permits fast and easy installation
- > Weather-resistant design and hardware ensure reliable performance indoors or outdoors

## System configuration

Hardware and installation instructions are included with the loudspeakers. The loud - speakers may be mounted horizontally or vertically using the U-brackets, which attach to the side internal threaded inserts. The loudspeaker slips easily into the mounting bracket and can be tilted.

1. Full bandwidth pink noise is applied to the FreeSpace system controller and amplified to a level at the loudspeaker terminals corresponding to 1 Watt as referenced to the nominal impedance. The average sound pressure level (dB-SPL) is measured at 1 metre from the speaker in an anechoic environment.
2. Full bandwidth pink noise is applied to the FreeSpace system controller and amplified to a level at the loudspeaker terminals corresponding to the long-term rated power handling of the speaker. The average sound pressure level (dB-SPL) is measured at 1 metre from the speaker in an anechoic environment.
3. Full bandwidth pink noise, meeting Electrotechnical Commission (IEC) Standard #268-5, with a spectrum corresponding to average program material.
4. Full bandwidth noise, meeting the IEC Standard #268-5 is applied to the FreeSpace system controller and amplified to a level at the loudspeaker terminals corresponding to the power handling of the loudspeaker. The loudspeaker must show no visible damage or measurable loss of performance after 100 hours of continuous testing.

## System configurations



## Loudspeaker configuration

Either the 70V or 100V version of the model 32SE loudspeaker can be part of a distributed sound system when used in conjunction with any BOSE® amplifier or when used with a FreeSpace® system controller and a comparable amplifier. The 4Ω version is passively equalised and therefore does not require a controller. All versions of the model 32SE loudspeaker may be permanently installed in indoor or outdoor applications.

The model 32SE loudspeaker is electrically and acoustically compatible with model 32 loudspeakers.

This permits a mix of FreeSpace model 32SE and model 32 loudspeakers to be connected to the model 32 equalised amplifier output.

The model 32SE is packaged two units per carton.

## Engineers' and architects' specifications

The loudspeaker is a 32-Watt, ported loudspeaker system utilising one 11.4 cm HVC environmental full-range driver mounted on the frontal-facet baffle assembly.

The driver shall have a rated impedance of 2Ω (except the 4Ω version) and shall be wired in parallel with a line voltage-matching (stepdown) transformer with level selector appropriate for various output taps.

The 4Ω version is intended for direct connection to unequally low impedance amplifier sources.

The loudspeaker shall have a twin-ported vent system, with a maximum

acoustic output of 102dB-SPL from 90kHz to 16kHz, with measurements referenced to a full-bandwidth pink noise input at 1 metre at the loudspeaker's rated power. The input connection shall consist of a barrier strip "screw" type terminal. Its power handling capability shall be 1, 2, 4, 8, 16, or 32 Watts continuous power when referenced to IEC noise for 100 hours. The nominal dispersion shall be 132° at -6dB conical. The loudspeaker shall be the BOSE FreeSpace Model 32SE loudspeaker.

## Safety and regulatory compliance

All versions of the BOSE FreeSpace model 32SE loudspeaker are UL listed for safety and suitable for general purpose use. They comply with ANSI/EIA 636, recommended loudspeaker safety practices and EMC directive 89/336/EEC and article 10 (1) of the directive in compliance with EN50081-1, EN50082-1, as signified by the CE mark.

## Warranty information

All versions of the BOSE FreeSpace model 32SE loudspeaker are covered by a 5-year, transferable limited warranty.